

# PS2-1800 C-SJ17-2

## Solar Submersible Pump System for 6" wells

### System Overview

Head	max. 16 m
Flow rate	max. 26 m³/h

### Technical Data

#### Controller PS2-1800

- Controlling and monitoring
- Control inputs for dry running protection, remote control etc.
- Protected against reverse polarity, overload and overtemperature
- Integrated MPPT (Maximum Power Point Tracking)
- Battery operation: Integrated low voltage disconnect
- Integrated Sun Sensor

Power	max. 1,8 kW
Input voltage	max. 200 V
Optimum Vmp**	> 102 V
Motor current	max. 14 A
Efficiency	max. 98 %
Ambient temp.	-40...50 °C
Enclosure class	IP68

#### Motor ECDRIVE 1200-C / ECDRIVE 1800-C

- Maintenance-free brushless DC motor
- Water filled
- Premium materials, stainless steel: AISI 304/316
- No electronics in the motor

Rated power	1,7 kW
Efficiency	max. 92 %
Motor speed	900...3.300 rpm
Insulation class	F
Enclosure class	IP68
Submersion	max. 150 m

#### Pump End PE C-SJ17-2

- Non-return valve
- Premium materials, stainless steel: AISI 304
- Optional: dry running protection
- Centrifugal pump

Efficiency	max. 59 %
------------	-----------

#### Pump Unit PU1800 C-SJ17-2 (Motor, Pump End)

Borehole diameter	min. 6,0 in
Water temperature	max. 50 °C

### Standards



2006/42/EC, 2004/108/EC, 2006/95/EC

IEC/EN 61702:1995

The logos shown reflect the approvals that have been granted for this product family. Products are ordered and supplied with the approvals specific to the market requirements.

\*\*Vmp: MPP-voltage under Standard Test Conditions (STC): 1000 W/m² solar irradiance, 25 °C cell temperature

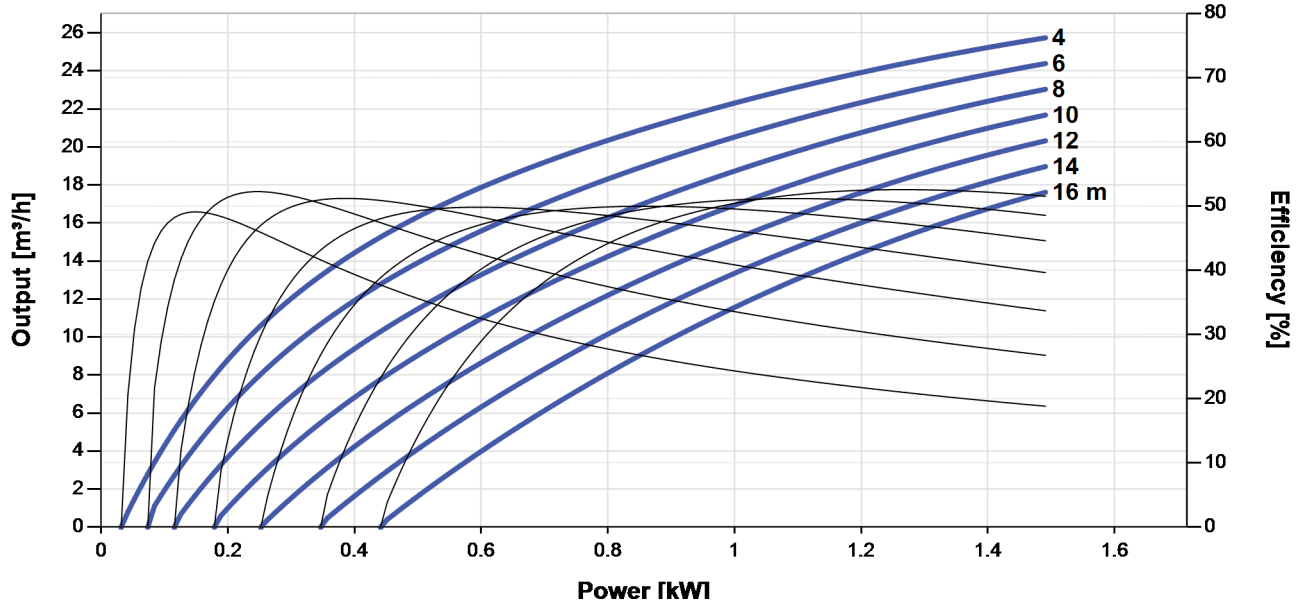


## PS2-1800 C-SJ17-2

### Solar Submersible Pump System for 6" wells

#### Pump Chart

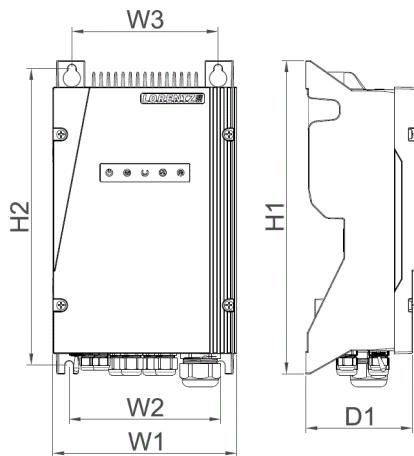
Vmp\* > 102 V



#### Dimensions and Weights

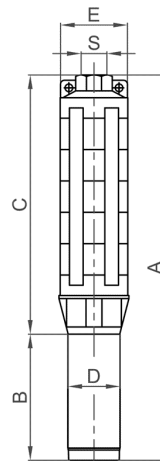
##### Controller

H1 = 352 mm  
 H2 = 333 mm  
 W1 = 207 mm  
 W2 = 170 mm  
 W3 = 164 mm  
 D1 = 124 mm



##### Pump Unit

A = 577 mm  
 B = 185 mm  
 C = 392 mm  
 D = 96 mm  
 E = 133 mm  
 S = 2,5 in



	Net weight
Controller	6,0 kg
Pump Unit	16 kg
Motor	7,0 kg
Pump End	8,5 kg

\*Vmp: MPP-voltage under Standard Test Conditions (STC): 1000 W/m² solar irradiance, 25 °C cell temperature

